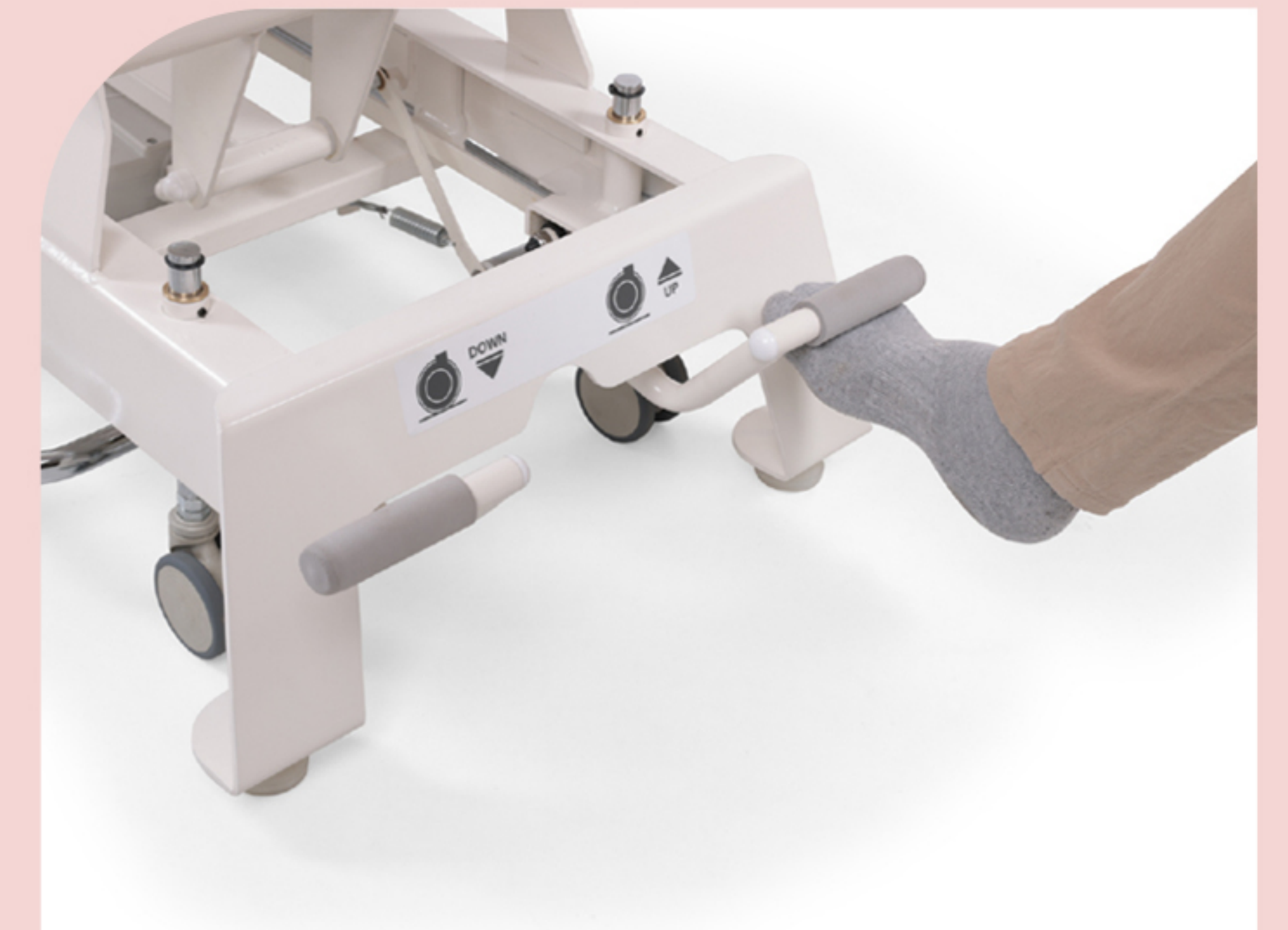


2 Section Physiotherapy Table



Parth is best suited for physiotherapy and physical therapies. Two fold treatment table with electronic height, manual backrest and pneumatically lowerable armrests. The backrest and the armrests can be adjusted and locked at various positions by a pneumatic gas spring; whereas the height is controlled through a linear actuator from Linak DENMARK. Best suited for doctors and physiotherapists to work on the back of the patient. There is a built in nose slot for breathing with plug cushion. The treatment table has a strong powder coated metal base and top mattress is 40 density cushion upholstered with soft to touch premium leatherette.

OPTIONAL



Easy Mobility



Walk free switch



Adjustable Head Rest is optional

PARTH

01



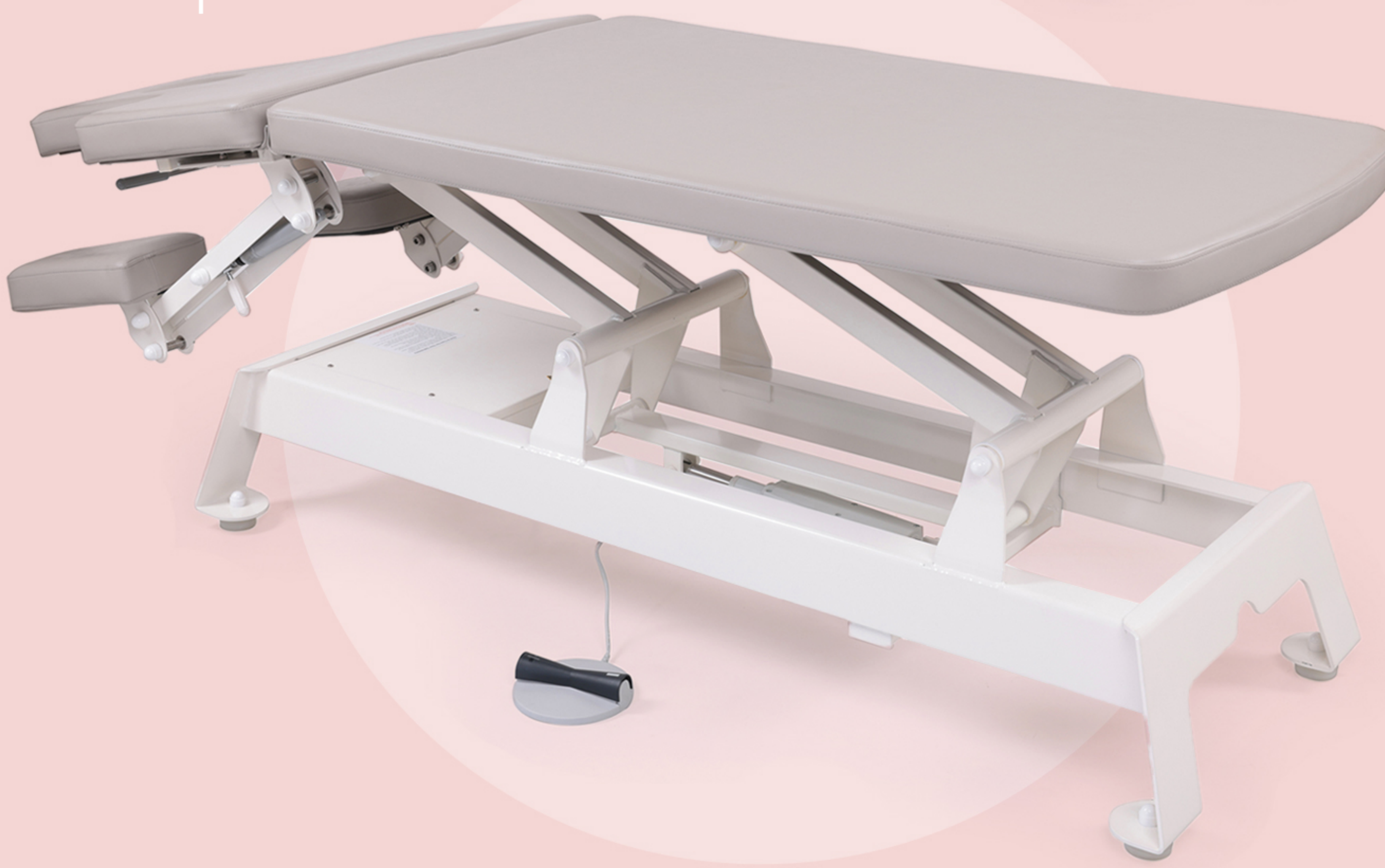
02



03



04



TOP:

Top Design	Two Piece articulating top with lowerable armrests
Top Cushion Measurements	1995 x 750 mm
Foam	50 mm thick 40 Density Foam
Upholstery	PVC Coated Fabric
Frame	Mild Steel Construction Powder Coated Frame
Adjustment (Back Rest)	Manual (Gas Spring)
Adjustment (Height)	Electronic (Linak Motor)

BASE & FRAME:

Base	Powder Coated Metal Frame
Minimum Height	530 mm
Maximum Height	890 mm
Lifting Capacity	Upto 360 Kgs

UPHOLSTERY:

Type	Flame/UV/Abrasion Resistant 1.2 mm Coated Fabric
Available Colour Options	25 colour options
Weight	660 gsm + 5%
Abrasion	EN ISO 5470=2, 25000 Cycles

ACCESSORIES:

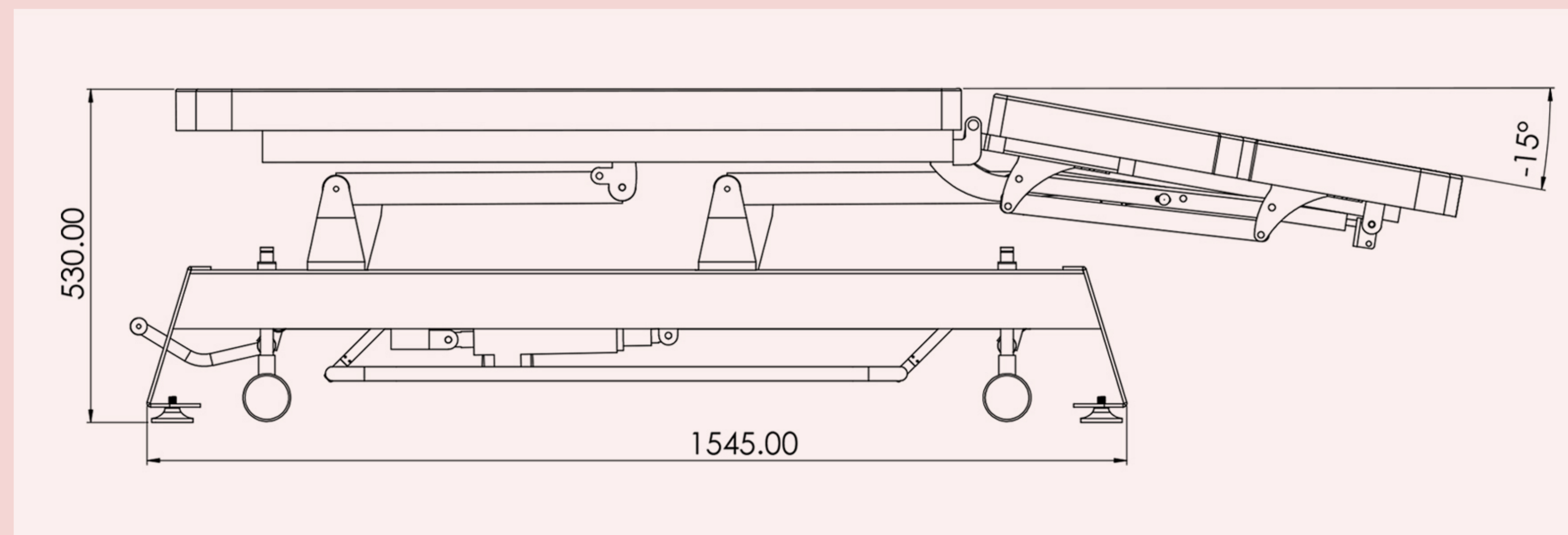
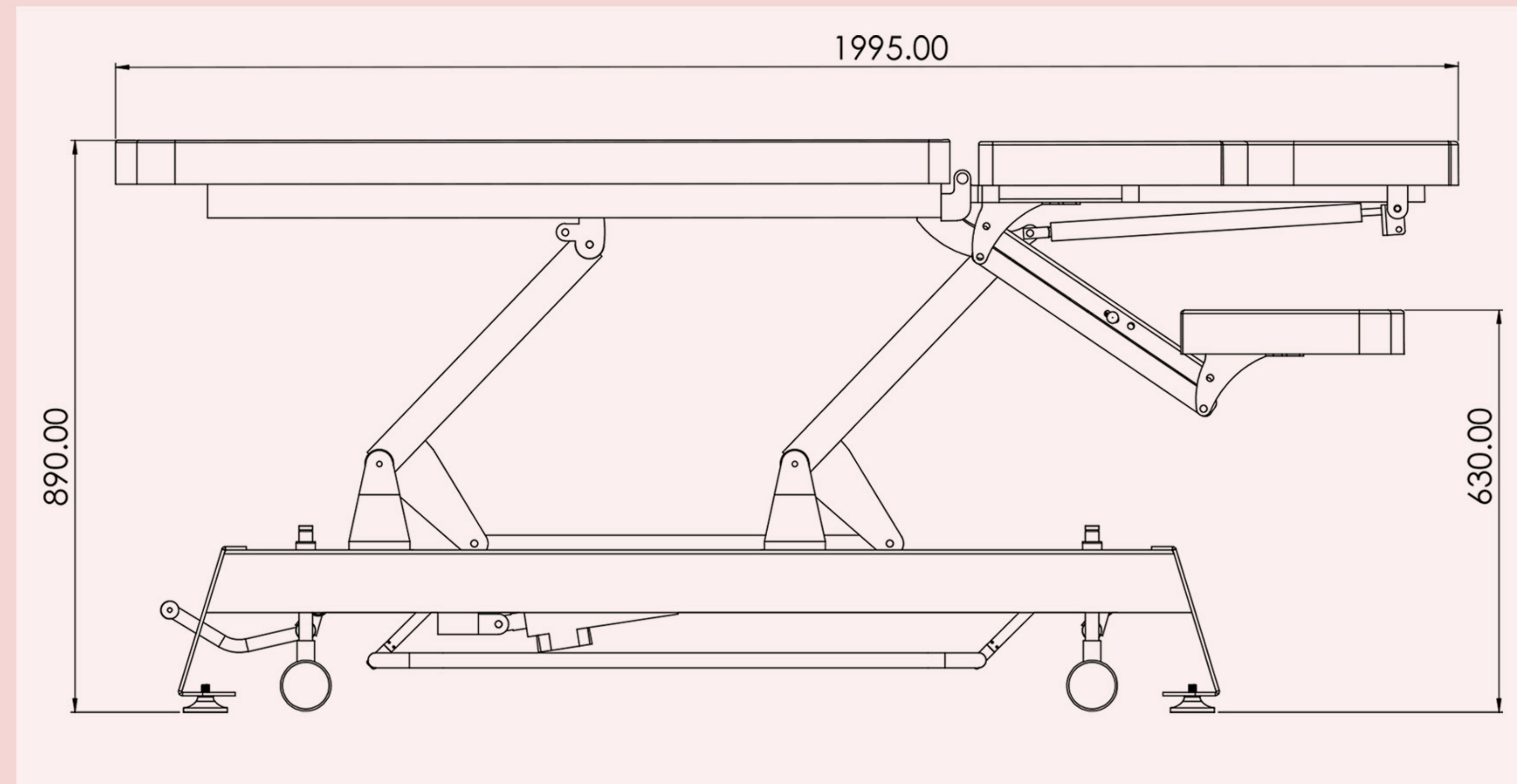
Available Colour Options	25 colour options
--------------------------	-------------------

GUARANTEES:

Structure	1 year
Electronic Motors & Controls	3 years

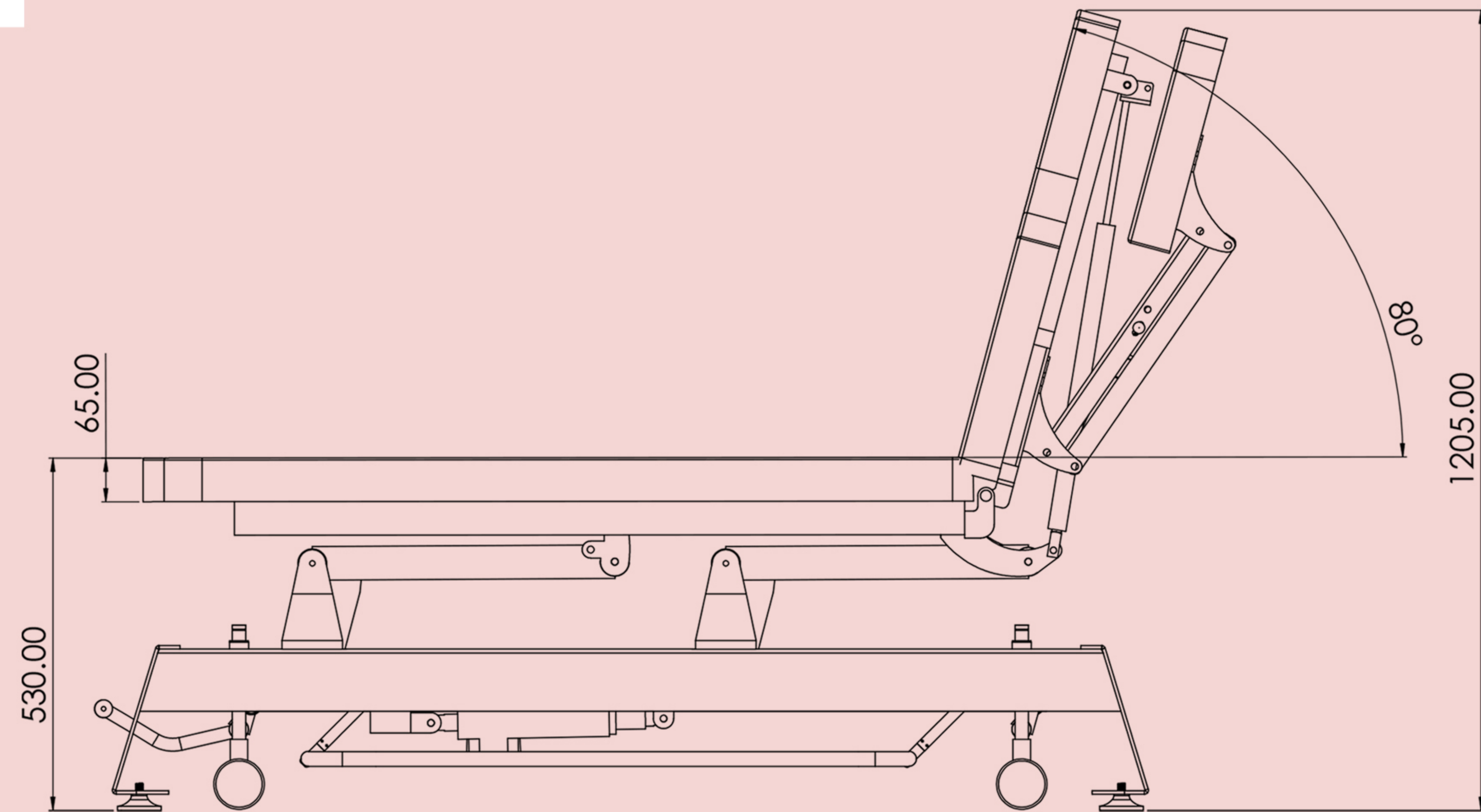
WEIGHTS:

Table Weight	84kgs
Shipping Weight	135kgs

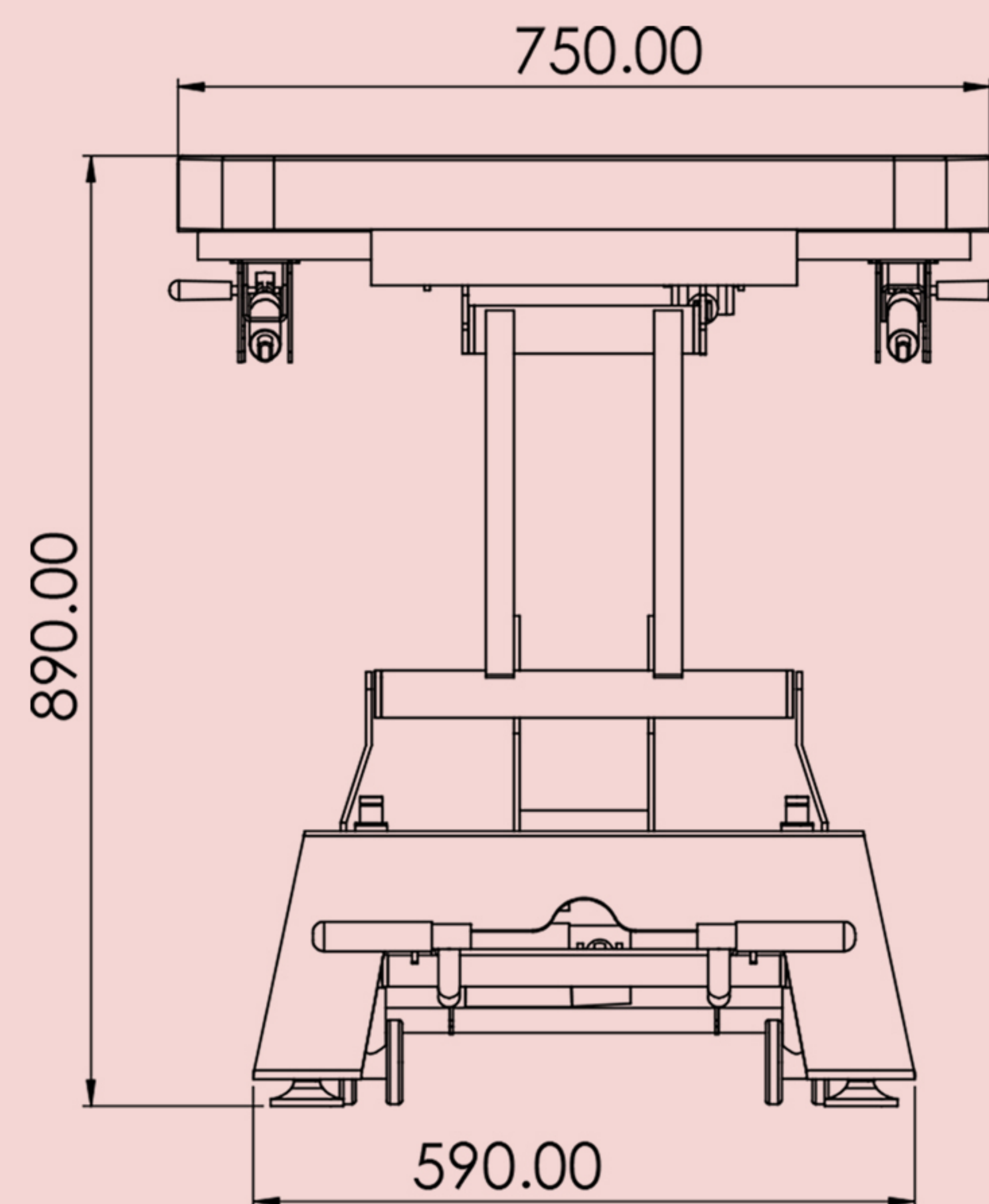


All dimensions are in mm

MINIMUM HEIGHT



MAXIMUM HEIGHT



All dimensions are in mm