

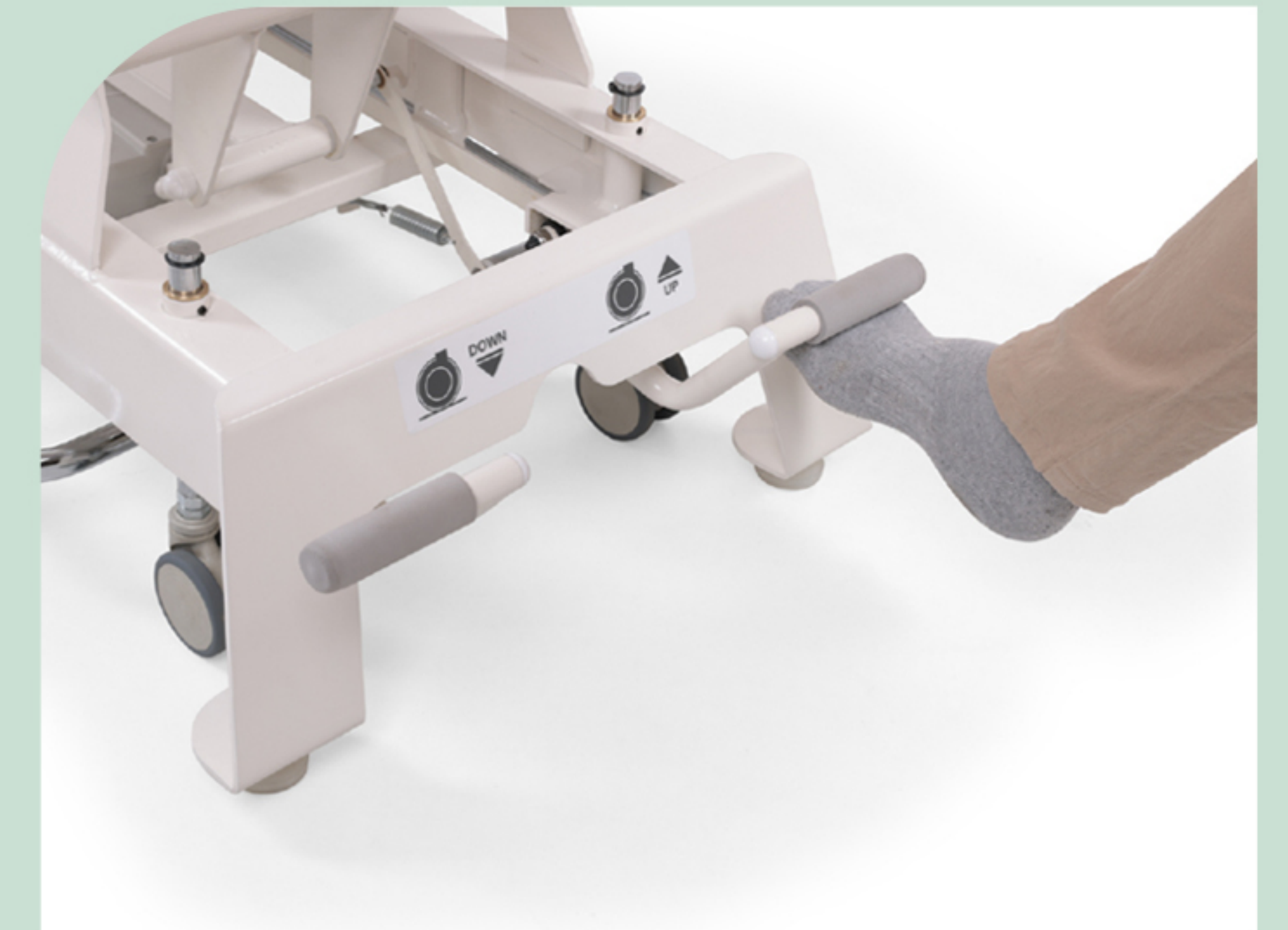
# NIRAV

## 2 Section Medical Treatment Table



Nirav is two section medical treatment table with electronic height and manual headrest adjustment. The headrest position can be adjusted and locked at various positions by a pneumatic gas spring ; whereas the height is controlled through a linear actuator from Linak DENMARK. There is a built in nose slot for breathing with plug cushion. The treatment table has a strong powder coated metal base and top mattress is 40 density cushion upholstered with soft to touch premium leatherette.

### OPTIONAL



Easy Mobility



Walk free switch

# NIRAV

01

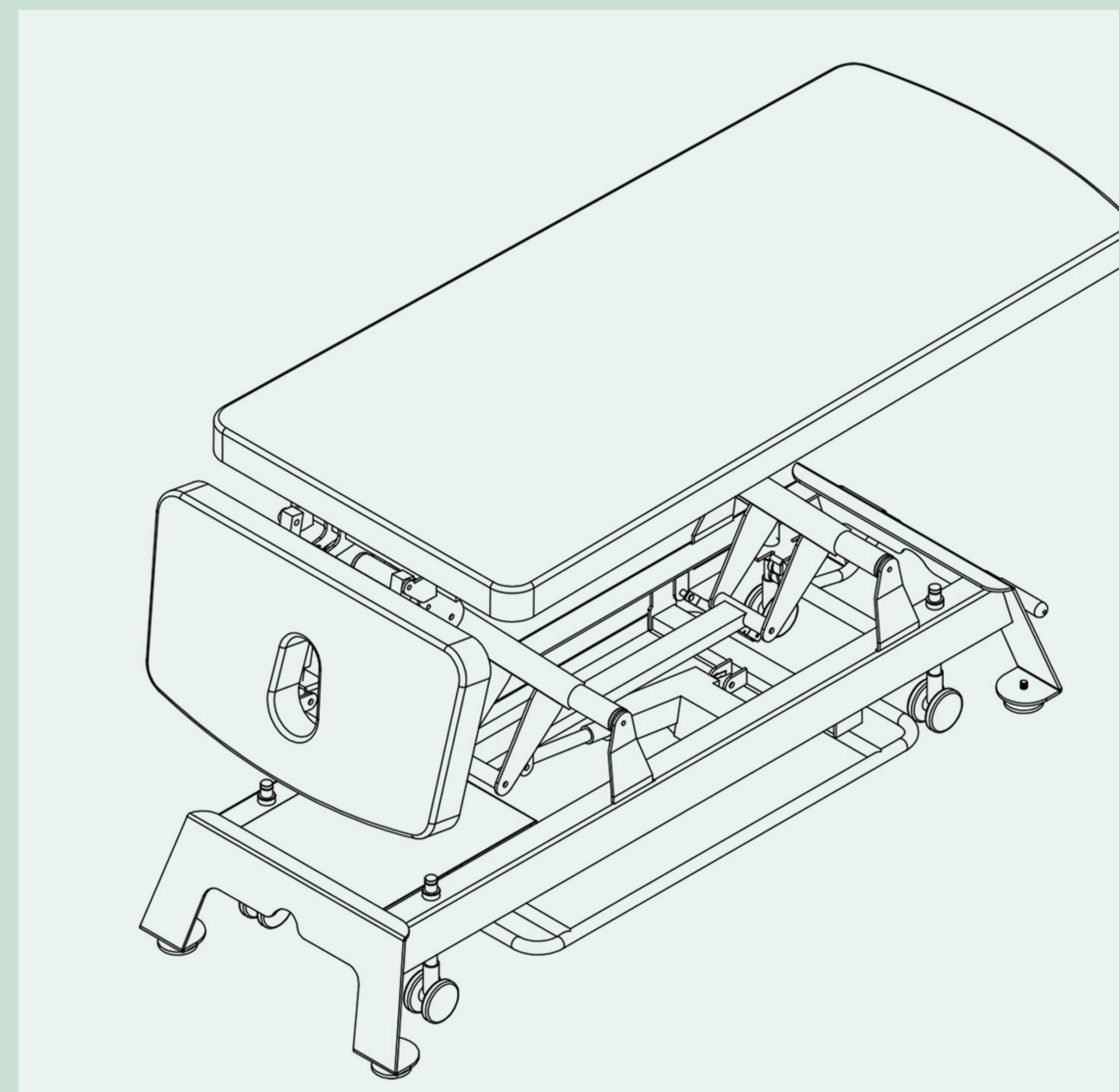


02



**TOP:**

Top Design	Two Piece articulating top with headrest incline and decline
Top Cushion Measurements	1995 x 750 mm
Foam	50 mm thick 40 Density Foam
Upholstery	PVC Coated Fabric
Frame	Mild Steel Construction Powder Coated Frame
Adjustment (Back Rest)	Manual ( Gas Spring )
Adjustment (Height)	Electronic (Linak Motor)

**BASE & FRAME:**

Base	Powder Coated Metal Frame
Minimum Height	620 mm
Maximum Height	890 mm
Lifting Capacity	Upto 360 Kgs

**UPHOLSTERY:**

Type	Flame/UV/Abrasion Resistant 1.2 mm Coated Fabric
Available Colour Options	25 colour options
Weight	660 gsm + 5%
Abrasion	EN ISO 5470=2, 25000 Cycles

**ACCESSORIES:**

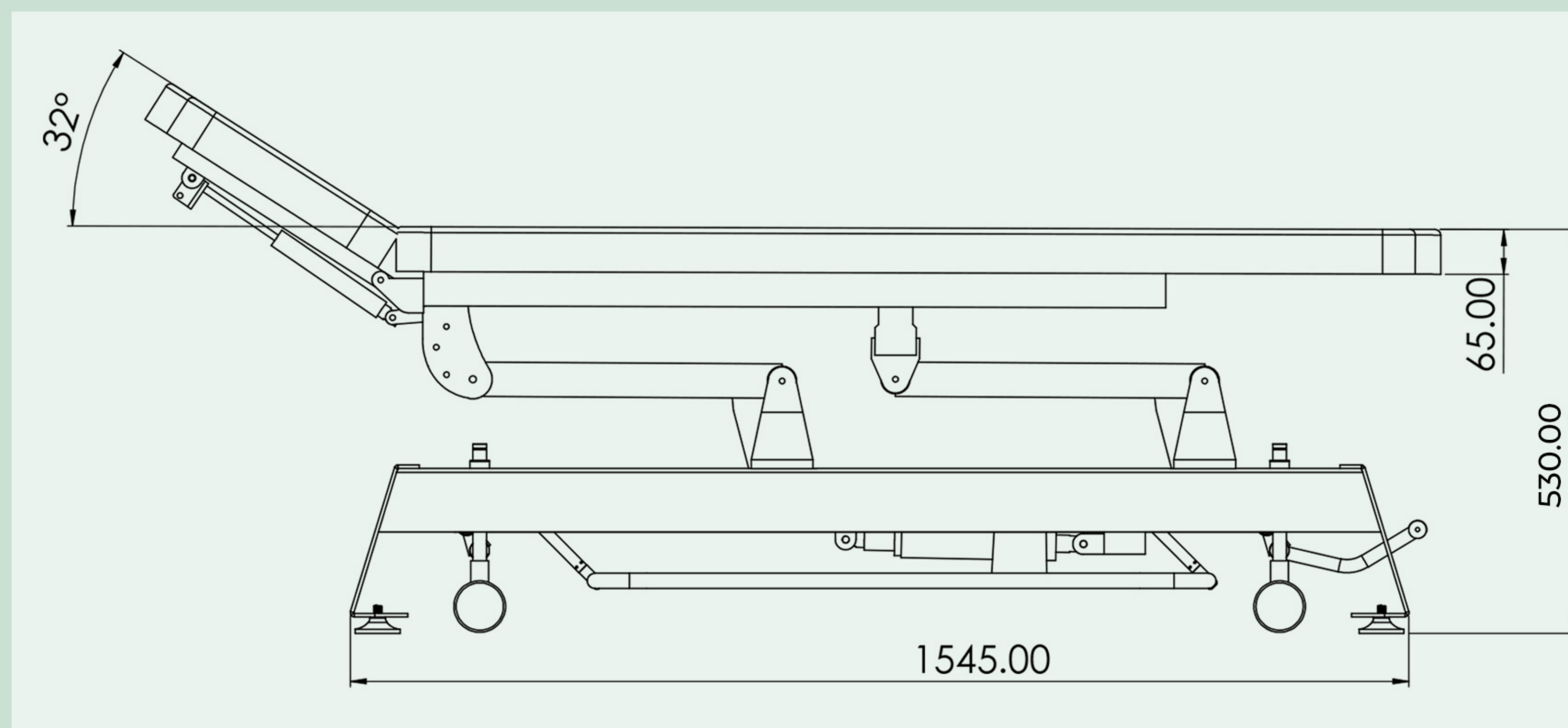
Available Colour Options	25 colour options
--------------------------	-------------------

**GUARANTEES:**

Structure	1 year
Electronic Motors & Controls	3 years

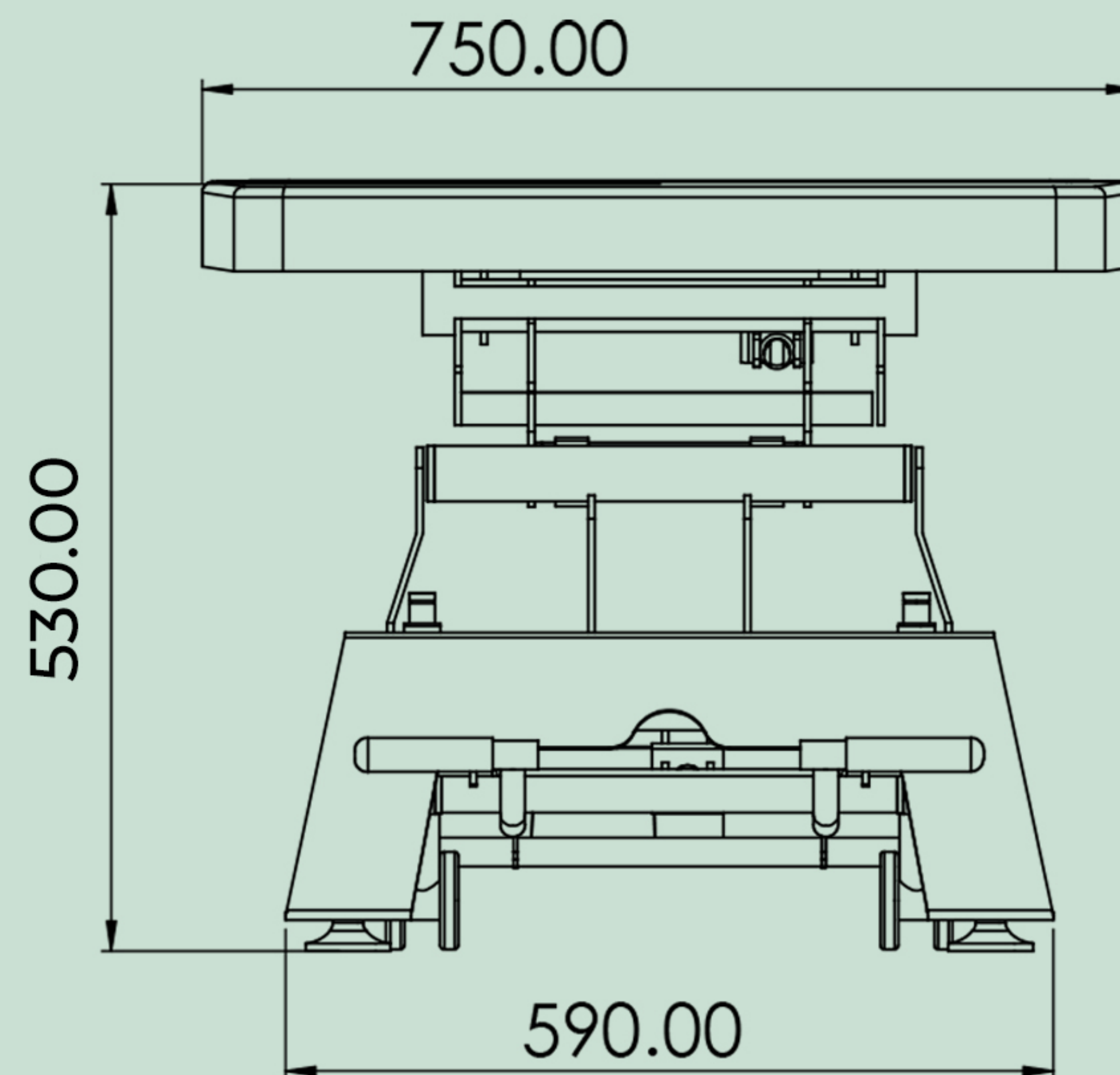
**WEIGHTS:**

Table Weight	84kgs
Shipping Weight	135kgs

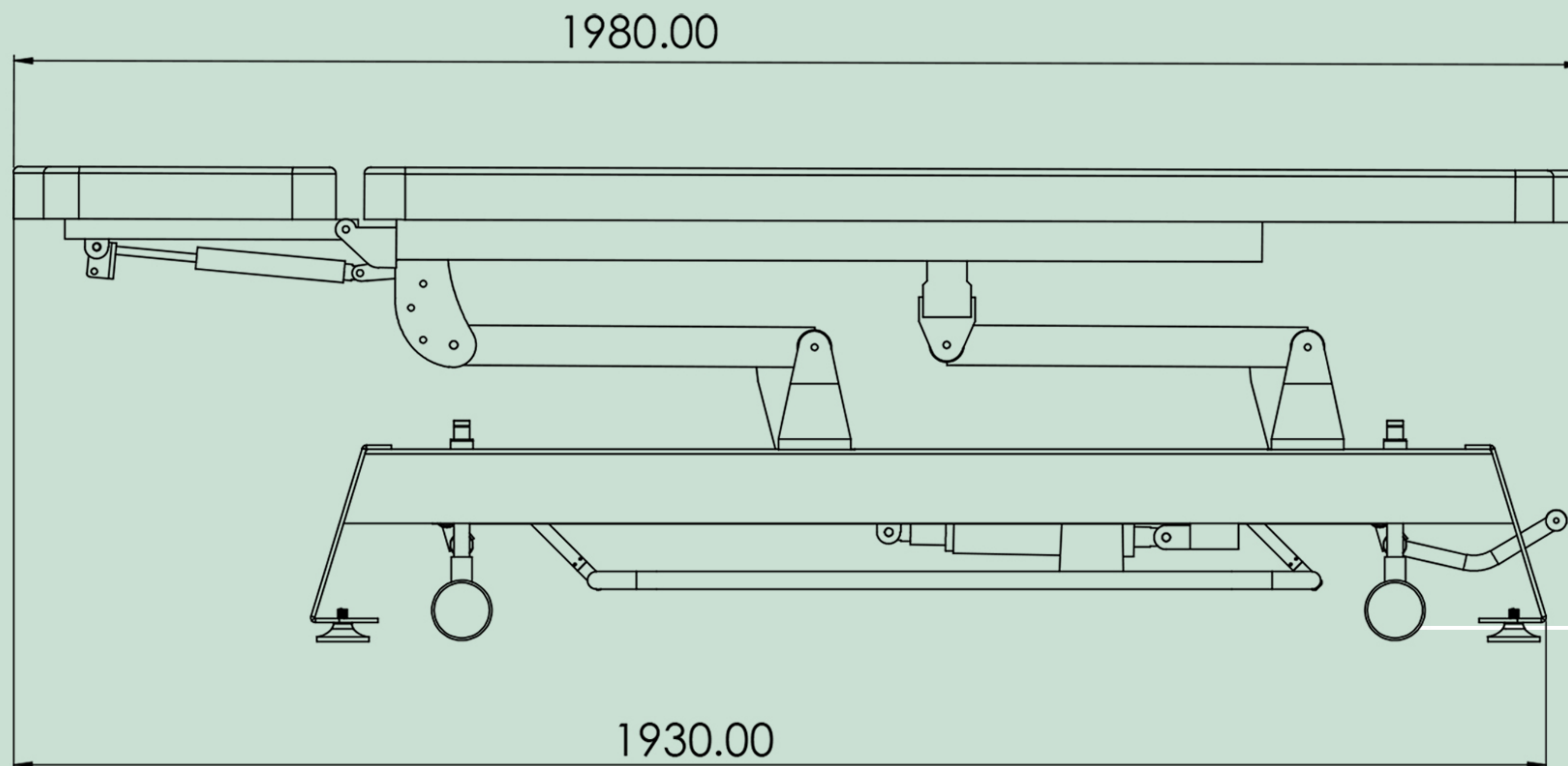


All dimensions are in mm

**MINIMUM HEIGHT**



**MAXIMUM HEIGHT**



All dimensions are in mm