

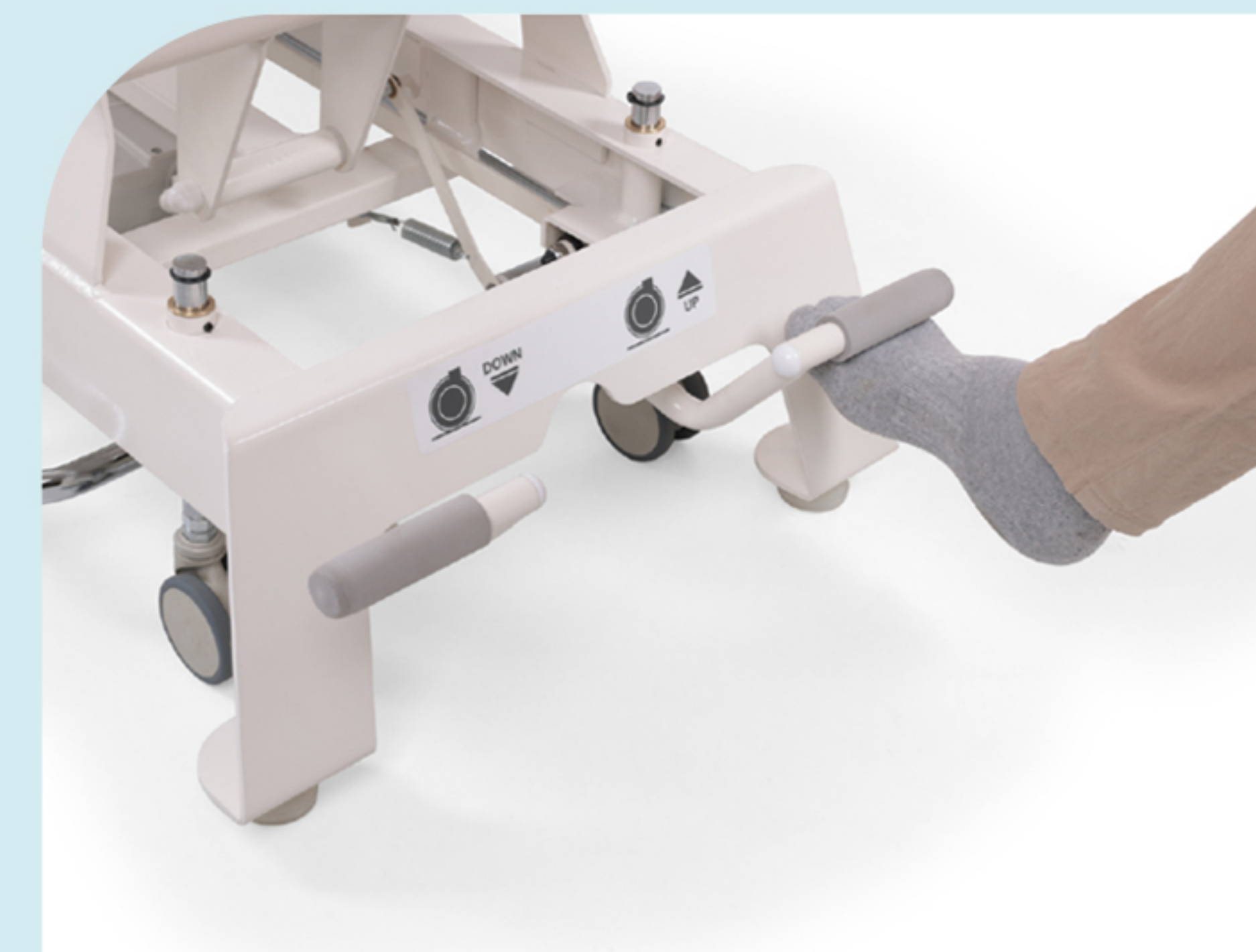
MOKSHIT

3 Fold Treatment Table



MOKSHIT is a 3 fold treatment table with a variety of functions. It can be used as a general examination table with independently adjustable backrest and leg rest section. Both leg and back sections are controlled through a quality gas spring. You can make it a flat top bed or bring it into a chair position. The height can be electronically adjusted through a linear actuator from Linak DENMARK. There is built in nose slot for easy breathing and plug cushion. Strong powder coated metal base and top mattress is 40 density cushion upholstered with soft to touch premium leatherette.

OPTIONAL



Easy Mobility



Walk free switch

MOKSHIT



TOP:

Top Design	Three Piece articulating top with adjustable backrest and leg rest position
Top Cushion Measurements	2010 x 750 mm
Foam	50 mm thick 40 Density Foam
Upholstery	PVC Coated Fabric
Frame	Mild Steel Construction Powder Coated Frame
Adjustment (Back Rest)	Manual (Gas Spring)
Adjustment (Height)	Electronic (Linak Motor)
Adjustment (Leg Rest)	Manual

BASE & FRAME:

Base	Powder Coated Metal Frame
Minimum Height	525 mm
Maximum Height	890 mm
Lifting Capacity	Upto 360 Kgs

UPHOLSTERY:

Type	Flame/UV/Abrasion Resistant 1.2 mm Coated Fabric
Available Colour Options	25 colour options
Weight	660 gsm + 5%
Abrasion	EN ISO 5470=2, 25000 Cycles

ACCESSORIES:

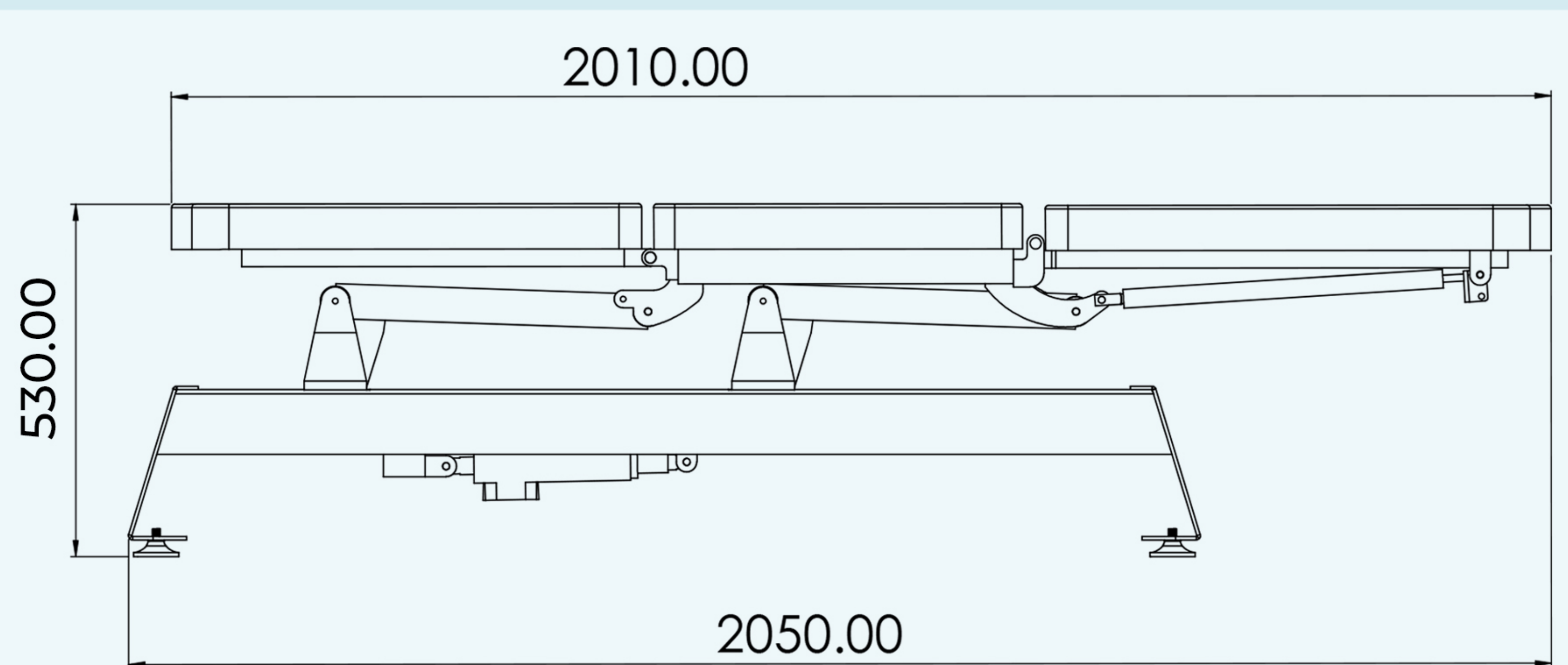
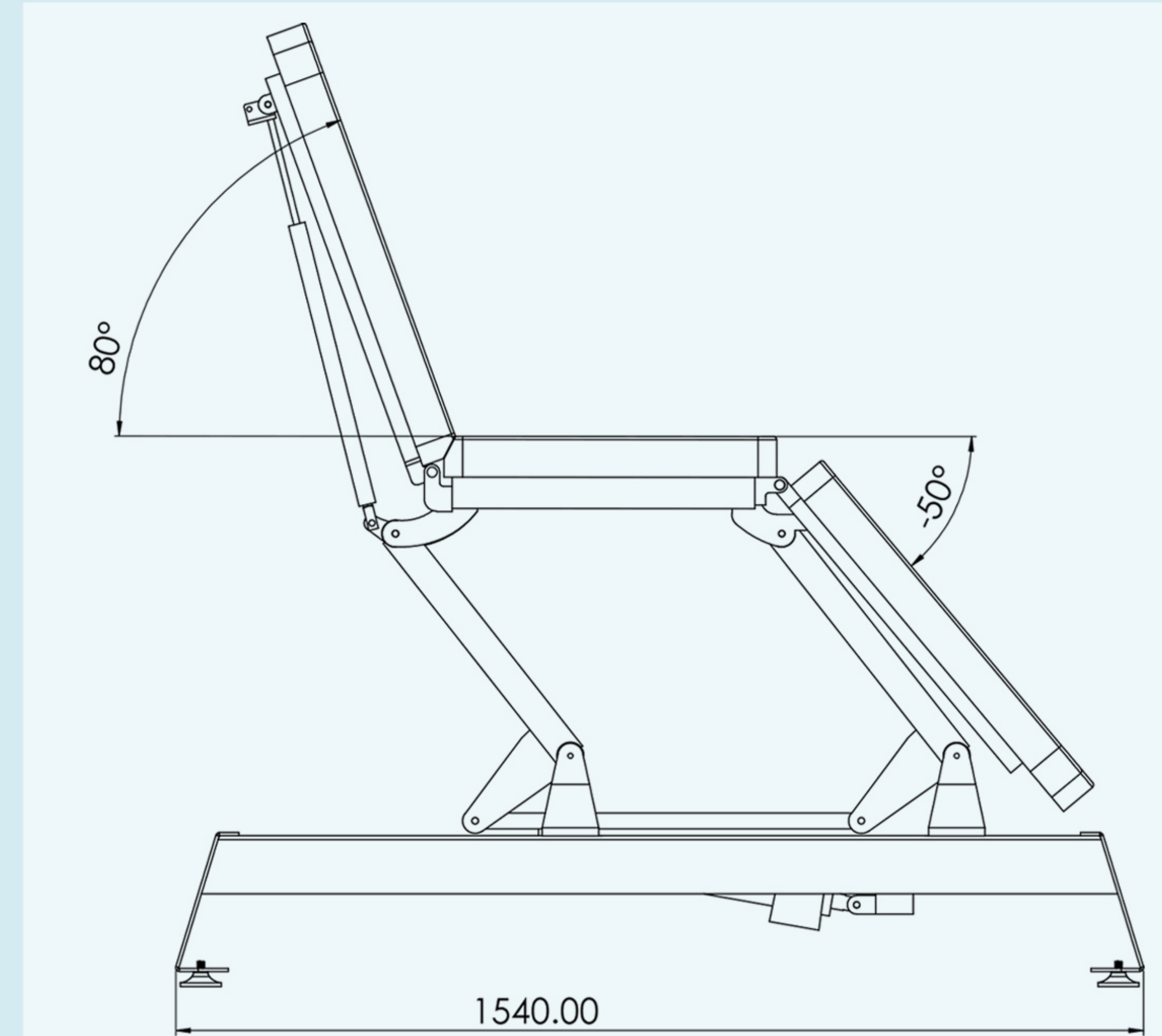
Available Colour Options	25 colour options
--------------------------	-------------------

GUARANTEES:

Structure	1 year
Electronic Motors & Controls	3 years

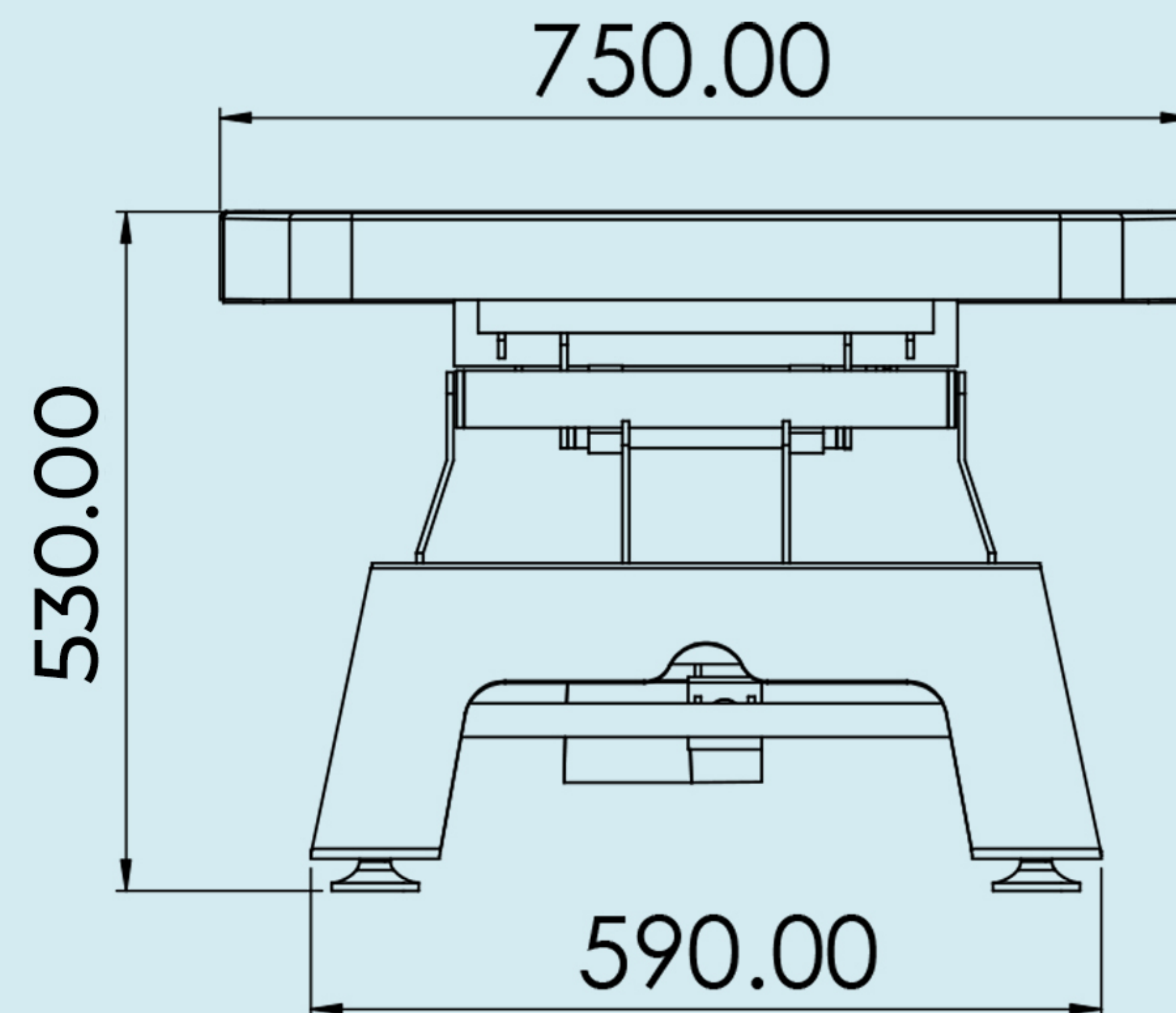
WEIGHTS:

Table Weight	84kgs
Shipping Weight	135kgs

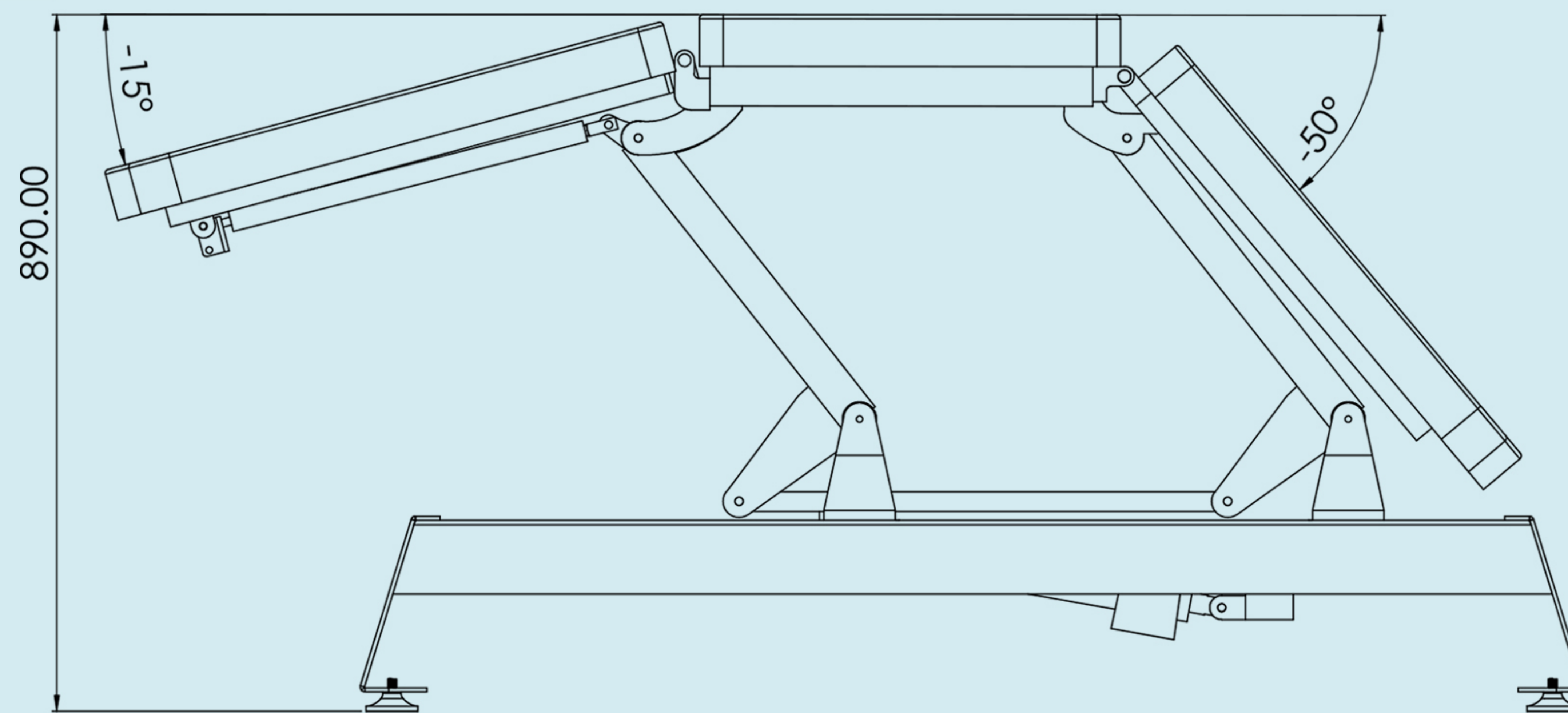


All dimensions are in mm

MINIMUM HEIGHT



MAXIMUM HEIGHT



All dimensions are in mm