

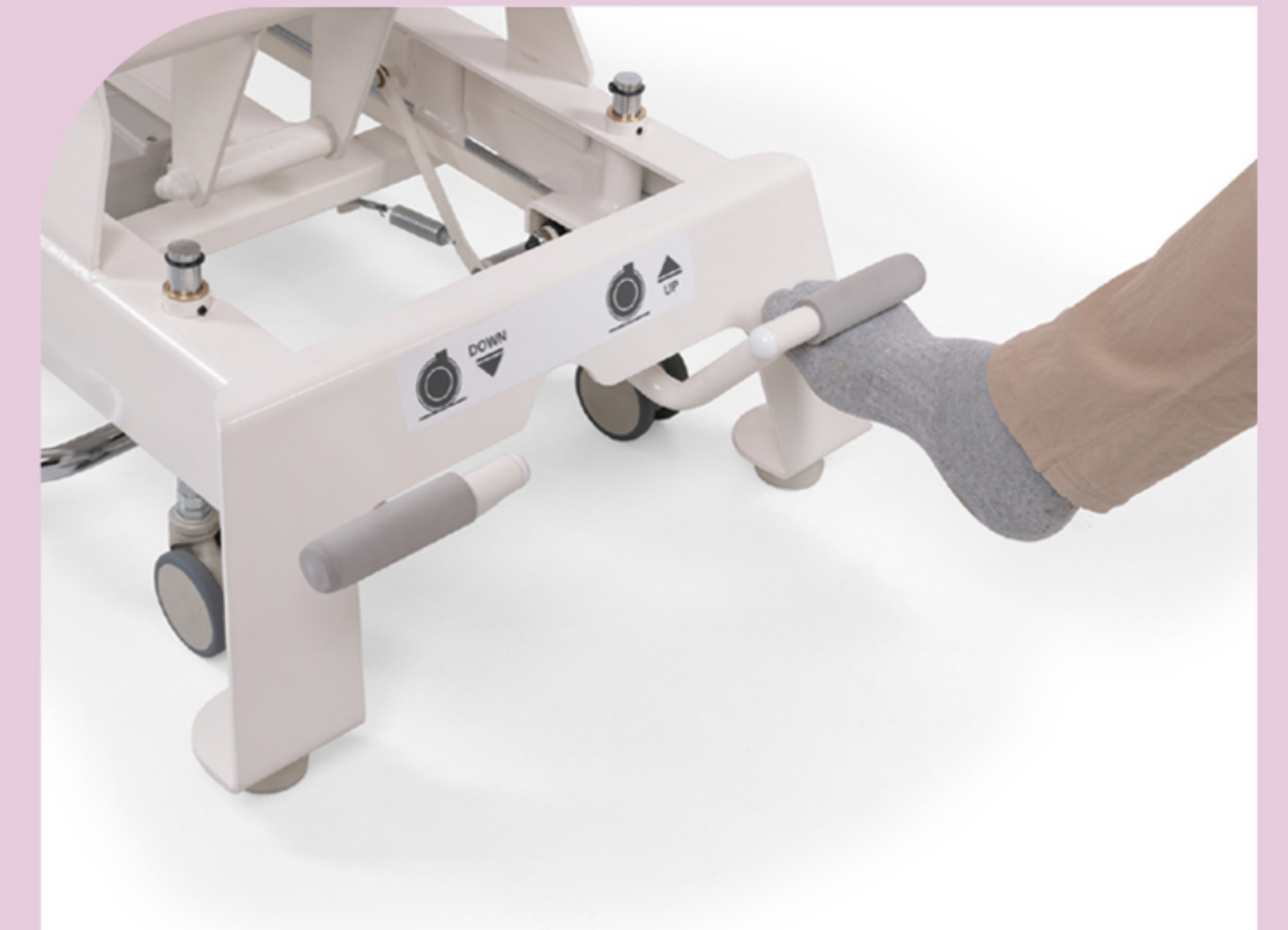
# MANAN

## 2 Section Medical Treatment cum Examination Table



Manan is our elegant in design and functional two section medical treatment cum examination table with electronic height and manual backrest adjustment. The backrest can be adjusted and locked at various positions by a pneumatic gas spring; whereas the height is controlled through a linear actuator from Linak DENMARK. There is a built-in nose slot for breathing with a plug cushion. The treatment table has a strong powder-coated metal base and the top mattress is 40 density cushion upholstered with soft-to-touch premium leatherette.

### OPTIONAL



Easy Mobility



Walk free switch

# MANAN

01



02

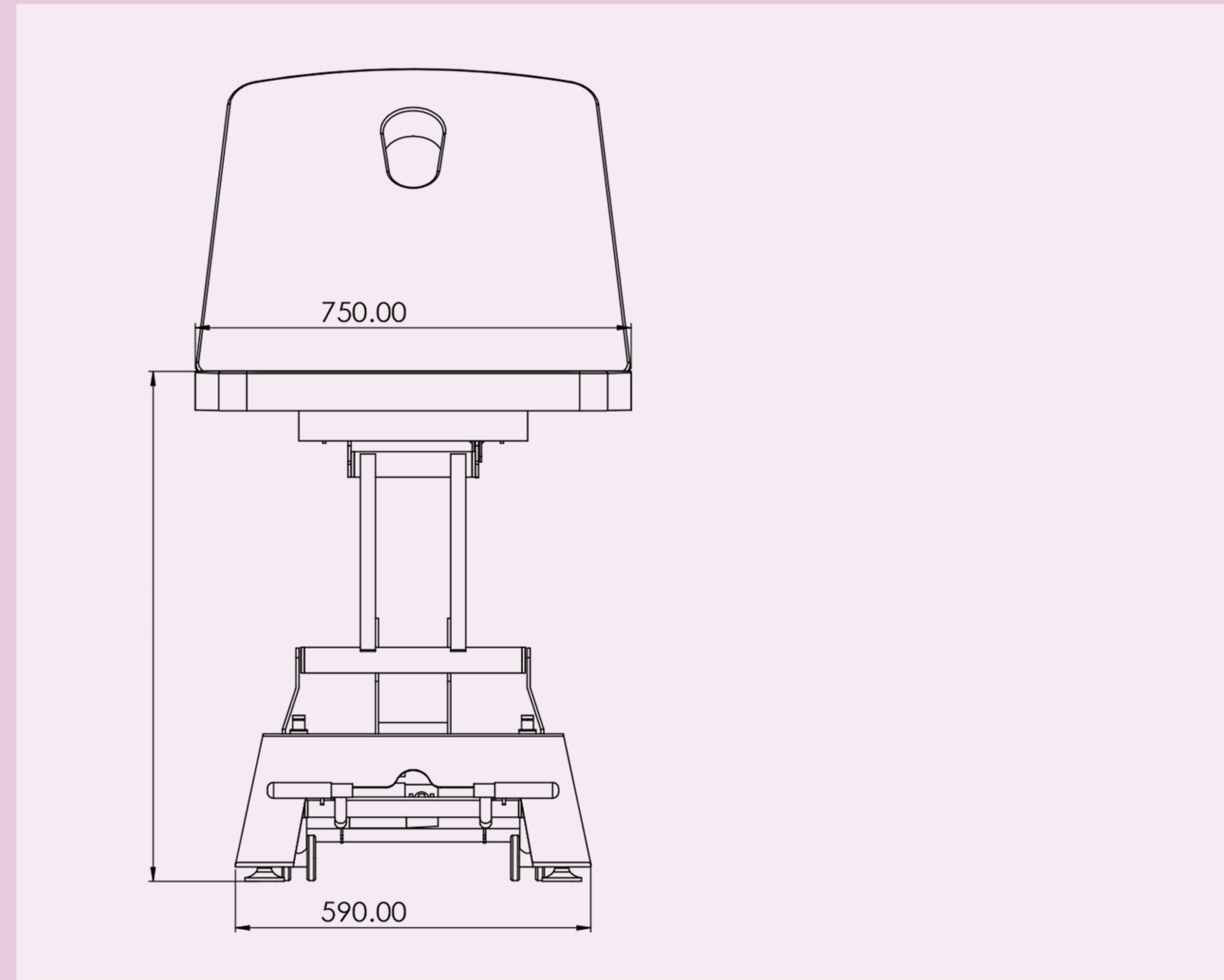


03



**TOP:**

Top Design	Two Piece articulating top with backrest incline feature
Top Cushion Measurements	2050 x 750 mm
Foam	50 mm thick 40 Density Foam
Upholstery	PVC Coated Fabric
Frame	Mild Steel Construction Powder Coated Frame
Adjustment (Back Rest)	Manual ( Gas Spring )
Adjustment (Height)	Electronic (Linak Motor)

**BASE & FRAME:**

Base	Powder Coated Metal Frame
Minimum Height	530 mm
Maximum Height	890 mm
Lifting Capacity	Upto 360 Kgs

**UPHOLSTERY:**

Type	Flame/UV/Abrasion Resistant 1.2 mm Coated Fabric
Available Colour Options	25 colour options
Weight	660 gsm + 5%
Abrasion	EN ISO 5470=2, 25000 Cycles

**ACCESSORIES:**

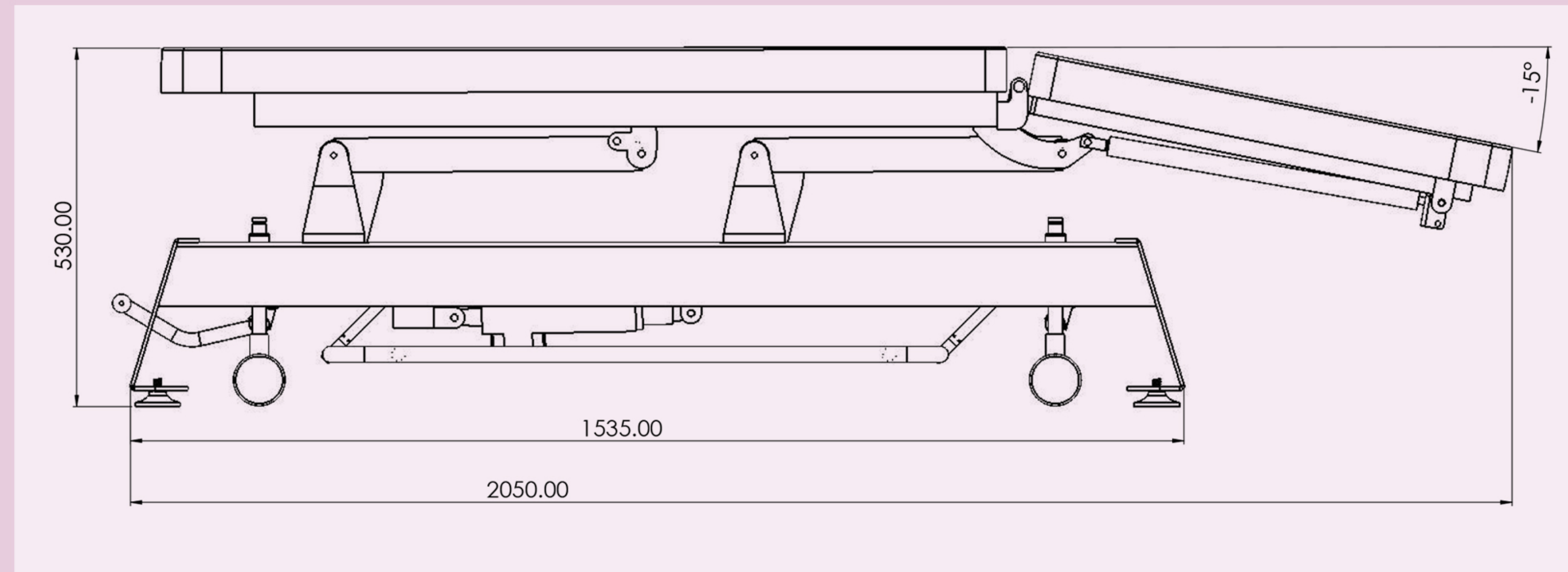
Available Colour Options	25 colour options
--------------------------	-------------------

**GUARANTEES:**

Structure	1 year
Electronic Motors & Controls	3 years

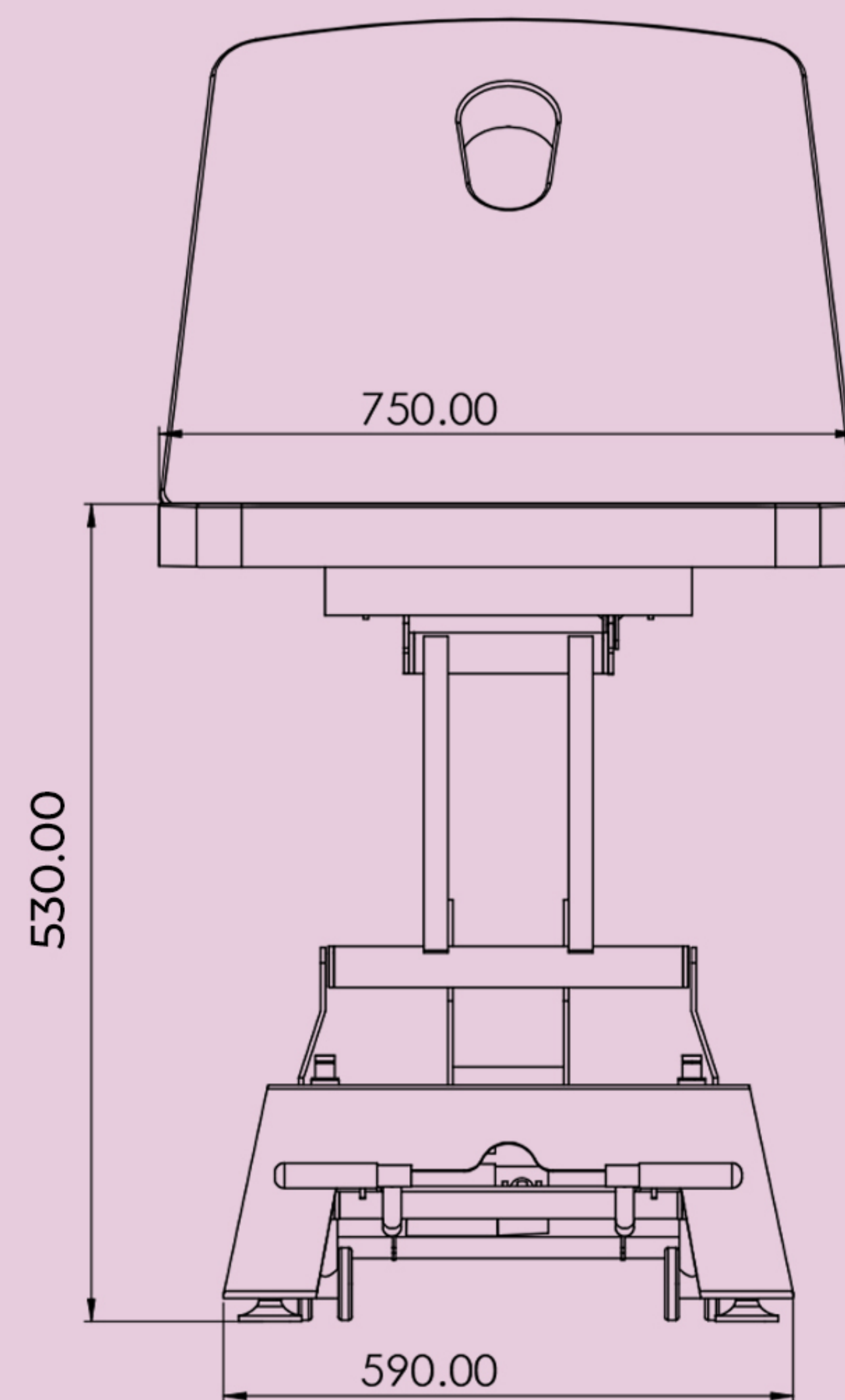
**WEIGHTS:**

Table Weight	84kgs
Shipping Weight	135kgs

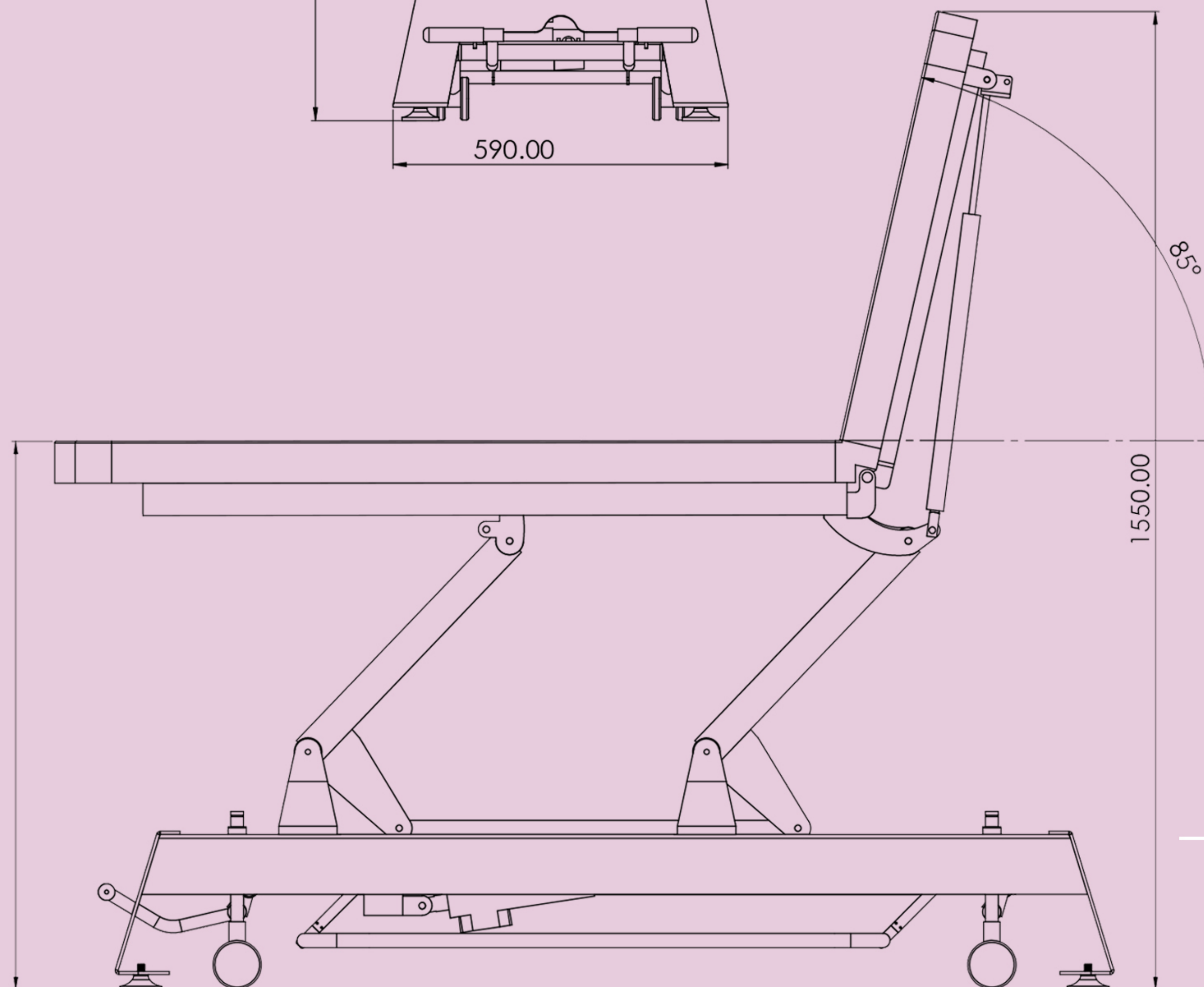


All dimensions are in mm

**MINIMUM HEIGHT**



**MAXIMUM HEIGHT**



All dimensions are in mm