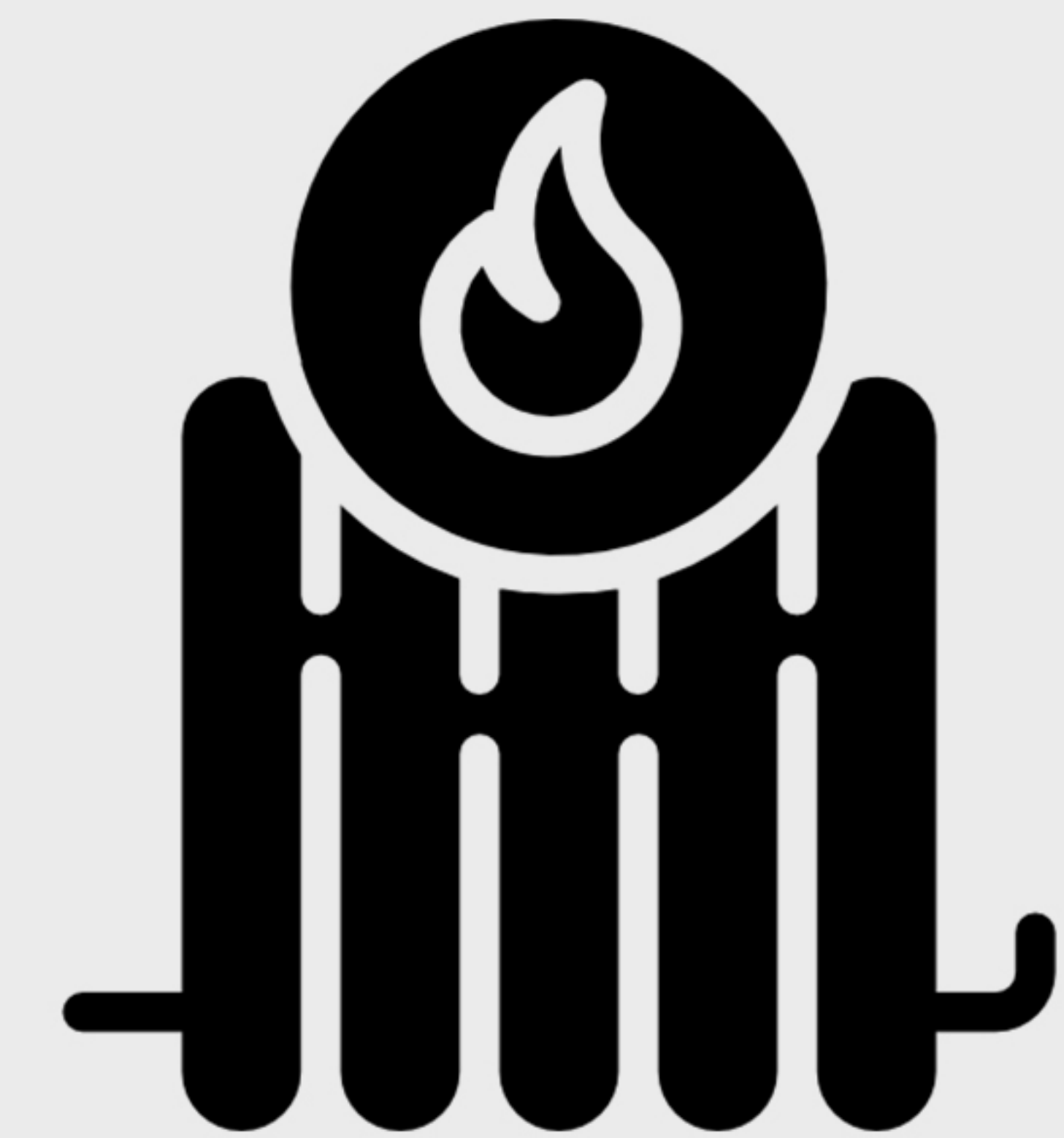


# MRIDUL

## Derma Chair



OPTIONAL



In-Built Heating System

Professional 4 Motors Derma Chair with electronic height, backrest, leg rest and tilt function. This electronic dermatology chair comes with detachable headrest, detachable legrest, armrests, a nose slot for breathing and head pillow. The handheld remote can independently control height/backrest/ tilt/ leg rest position. The Lock function freezes the remote functions and the RESET button brings the Derma Chair back to its chair position.



# MRIDUL

01



02



03



04





**TOP:**

Top Design

Foam

Upholstery

Frame

Adjustment (Back Rest)

Adjustment (Height)

Adjustment (Leg Rest)

Five piece fully electronic Derma Chair with electronic height, backrest, leg rest and tilt function

75mm Mixed Layers for comfortable seating

PVC Coated Fabric

Mild Steel Construction Powder Coated Frame and ABS Molded Parts

Electronic

Electronic

Electronic

**BASE & FRAME:**

Base

Lifting Capacity

Powder Coated Metal Frame and ABS Components

Upto 360 Kgs

**UPHOLSTERY:**

Type

Available Colour Options

Weight

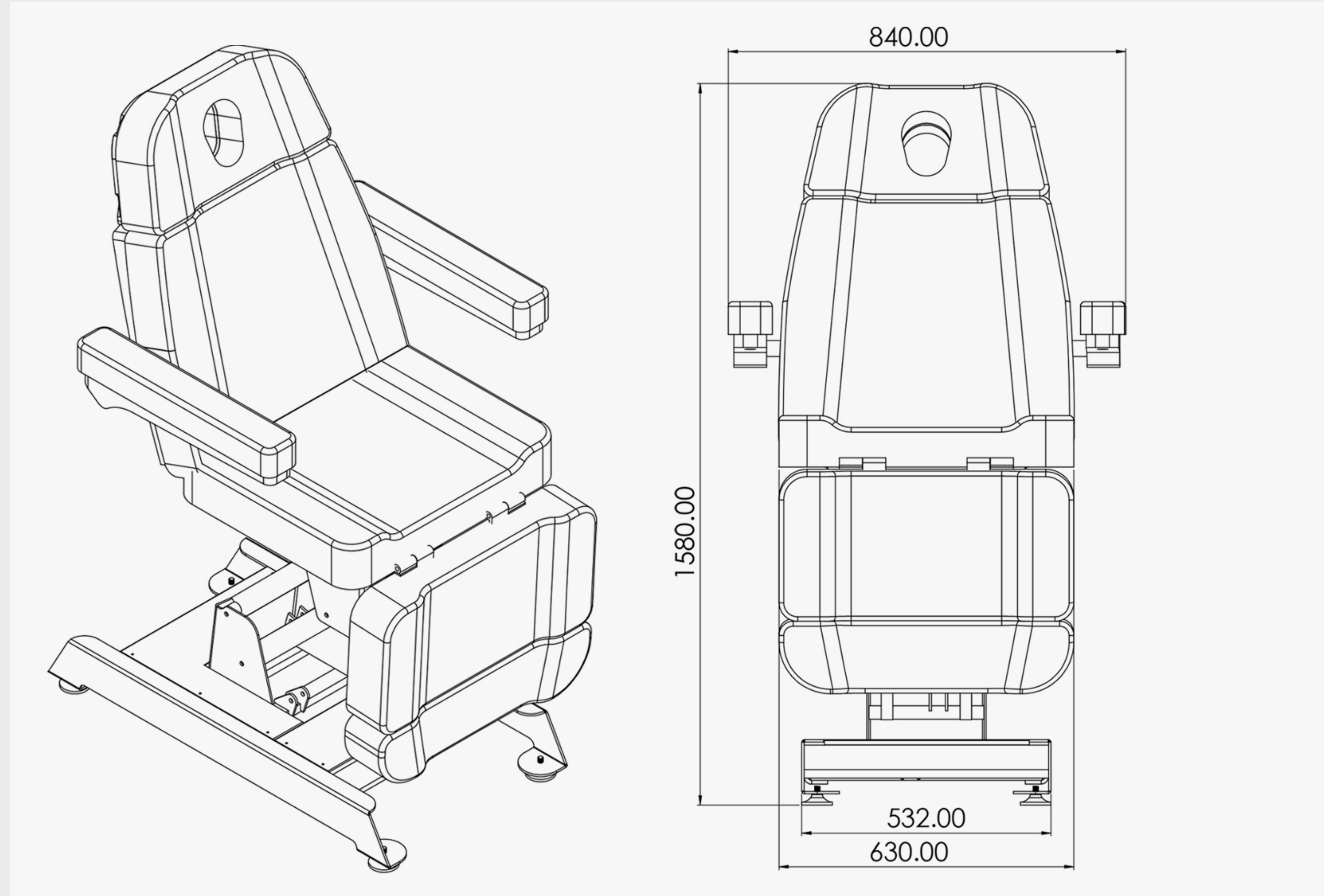
Abrasion

Flame/UV/Abrasion Resistant 1.2 mm Coated Fabric

25 colour options

660 gsm + 5%

EN ISO 5470=2, 25000 Cycles

**ACCESSORIES:**

Available Colour Options

25 colour options

**GUARANTEES:**

Structure

Electronic Motors &amp; Controls

1 year

3 years

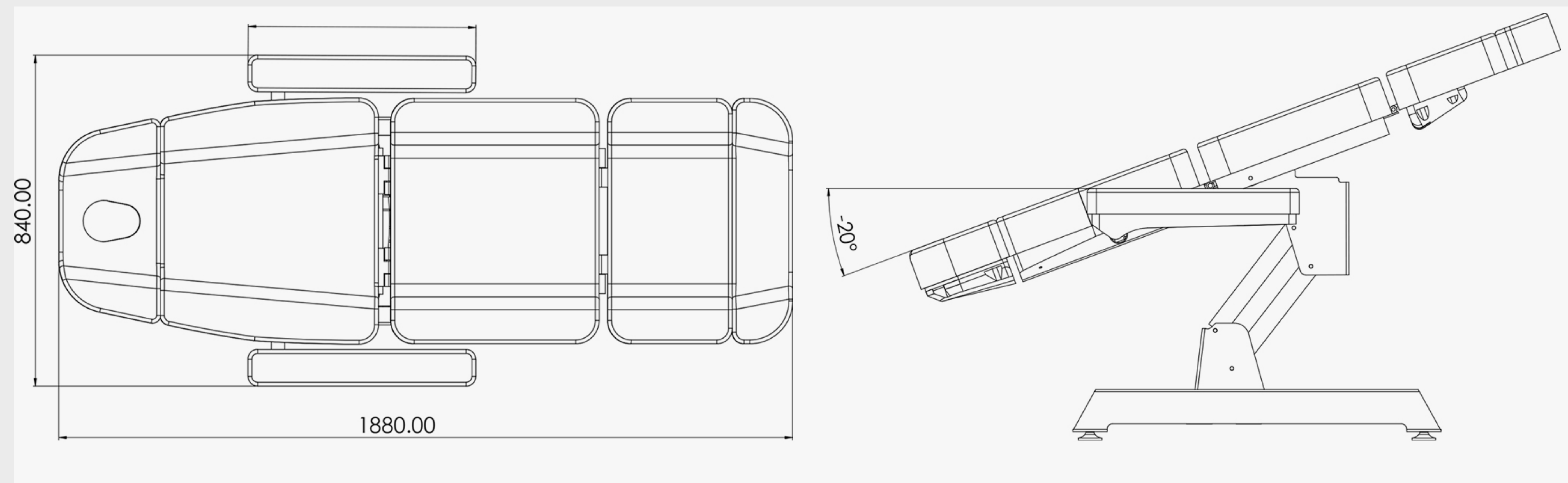
**WEIGHTS:**

Table Weight

Shipping Weight

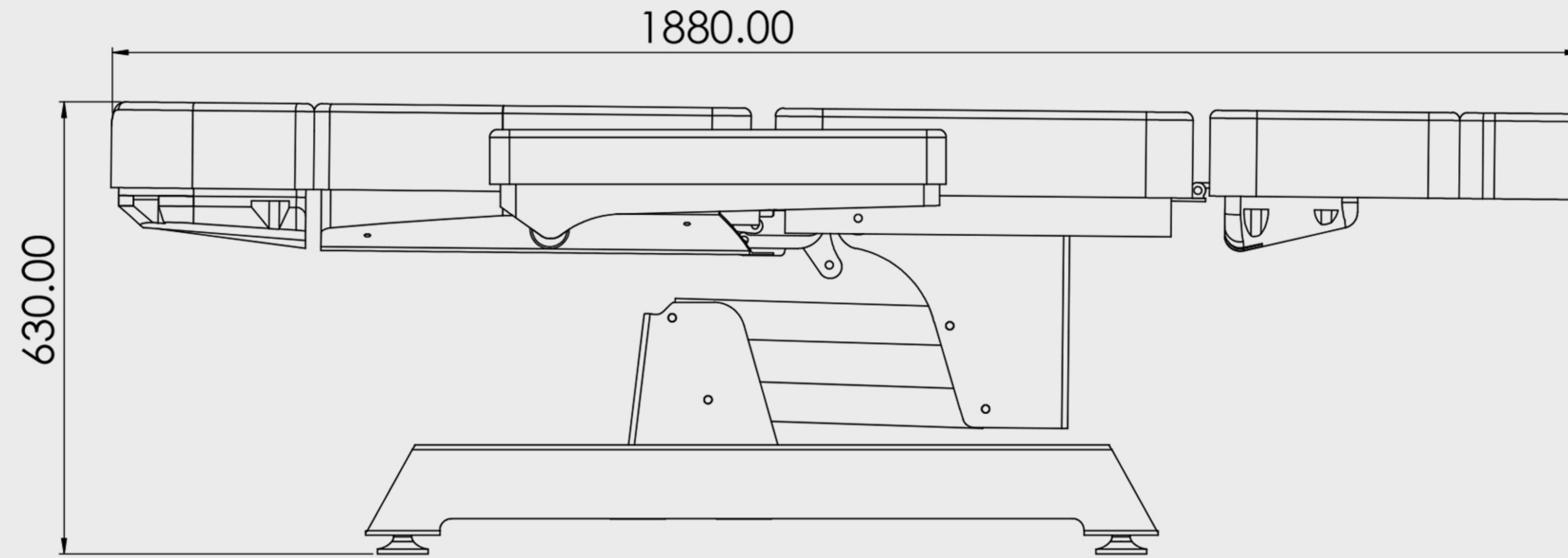
90kgs

150kgs

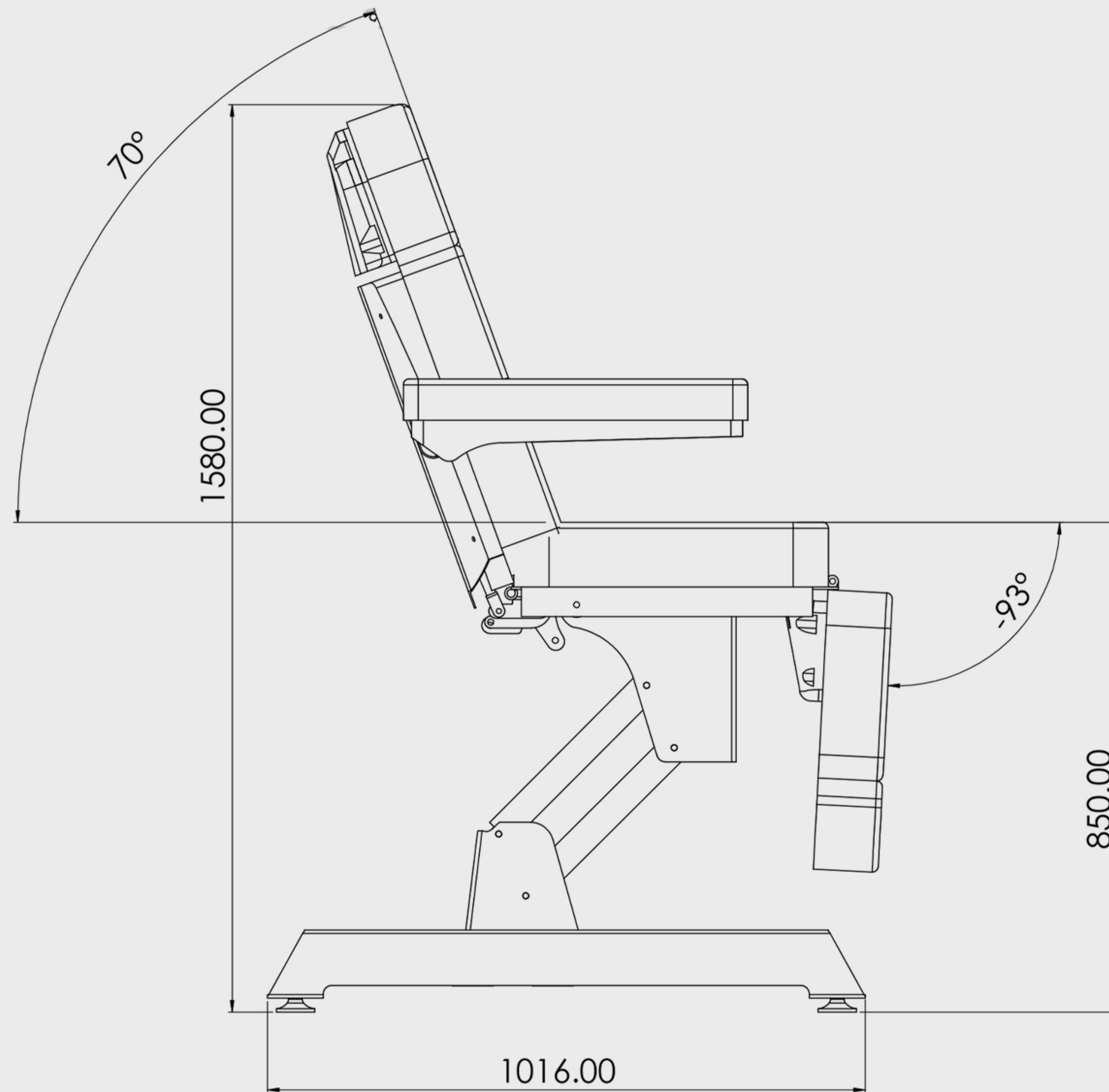
**All dimensions are in mm**



**MINIMUM HEIGHT**



**MAXIMUM HEIGHT**



All dimensions are in mm